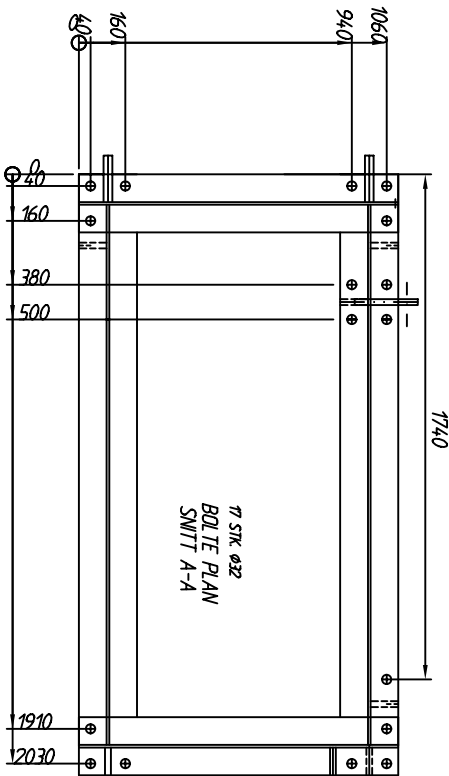
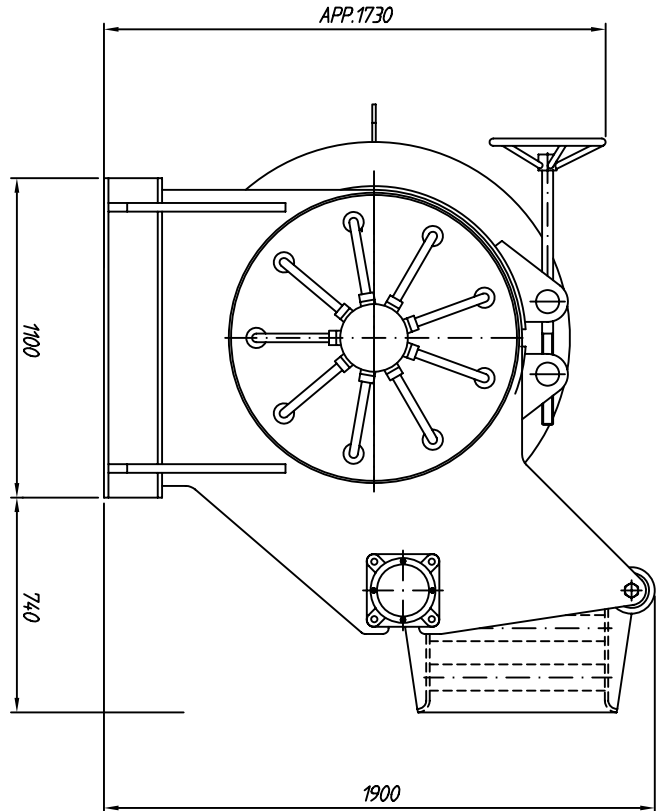


A) Korrigeret bolteplan 23/8-96. HH



Pos	Nos	Description	Specification
This drawing / print / specification is our property and is not to be used or disclosed to any third party without our written consent.			
Date	12/06-96	Desgn/Drawn	KHA
Appr.		Scale	1:20
Reference: "TILBUD"		Estimate	
SNUPEVINSJ (KORT) 25 TONN		KARMOY WINGE'S KOPERVIK, NORWAY	
M360612 A		12/06-96 10.58	