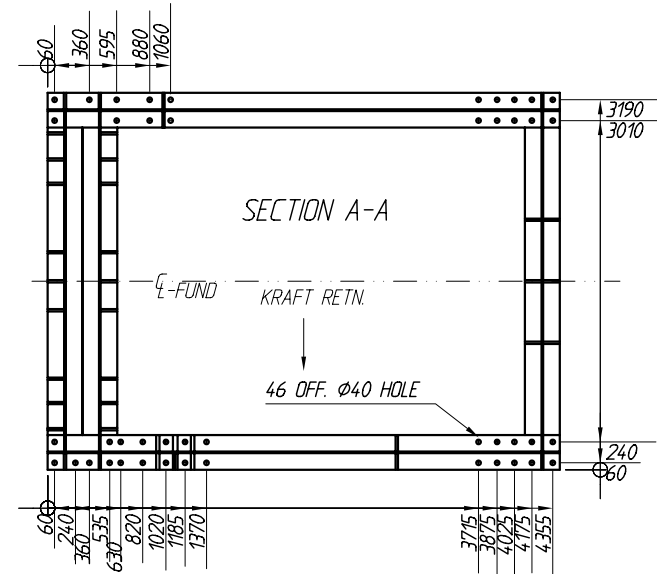
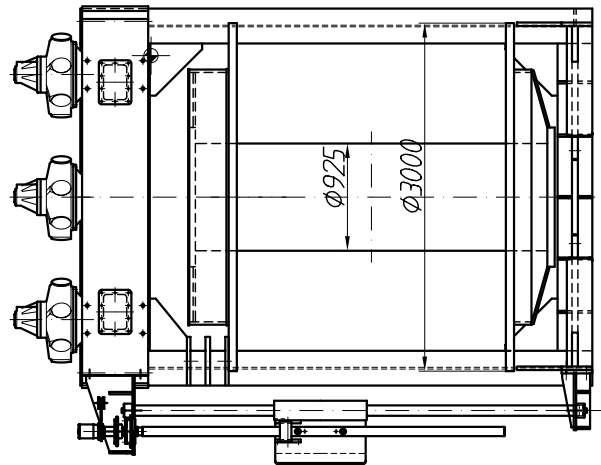
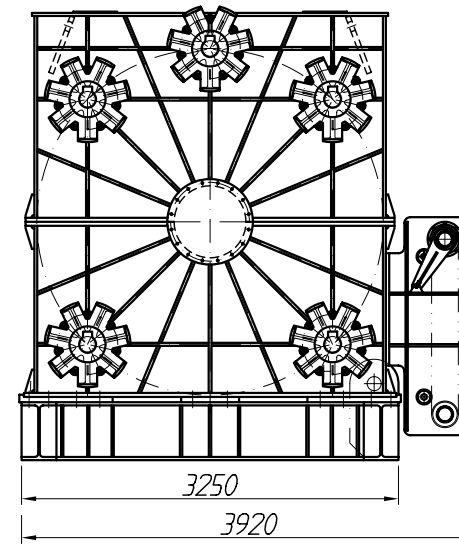


LIFTINGPOINTS:
 The drum is fitted with 4 off holes $\varnothing 85$ for 85 tonnes shackles.
 It is possible to use bigger shackles by change bushing in lifting point.



Brake arrangement is not shown

A) Forsterket, Irommel, og tilført løfepunkt i Irommel, 17.09.03 RTh

Pos	Nos	Description	Specification
This drawing / print / specification is our property and is not to be used or disclosed to any third party without our written consent. ©			
Date	Dsgn./Drawn	Appr.	Scale
19/03-92	GS		1:50
MOORING WINCH			Repl.for:
Weight=47Ton without wire			Repl.by:
Reference: 060161A			Estimate
			T: M\360181
			31/10-96 08.04

Fundament tegn. 162231

KARMOY WINCH
 KOPERVIK, NORWAY

M360181A